

**INSTRUCTIONS FOR INSTALLING A MOTOR TRAY REPLACEMENT HARNESS
AND ADAPTER IN A NATIONAL VENDORS SNACKTRON 1, SNACKTRON 2,
REFRESHTRON 2 OR REFRESHTRON 3 MERCHANDISER**

**CHECK THE PARTS RECEIVED IN THE KIT WITH THE PARTS LIST
IN THESE INSTRUCTIONS. IF ANY PARTS ARE MISSING, CONTACT
NATIONAL VENDORS' PARTS DEPARTMENT IMMEDIATELY.**

Read these instructions carefully and thoroughly before installing this kit. Retain the instructions for part number information and future reference.

This kit contains the following:

Kit Part Number	Application	Harness Part Number	Motor Tray Adapter	
			Part Number	Req
1457210	5 Select	1457205	1457209	5
1457211	10 Select	1457208	1457209	10
1467152	4 Select	1467148	1457209	4
1467151	8 Select	1467150	1457209	8
1457212	Gum & Mint	1459044	1457209	5
Installation Instructions		Part Number 1457213		

APPLICATION

This section of the instructions is for use with the following Kit Numbers: 1457210; 1457211; 1467152; and 1467151.

REMOVAL OF TRAY ASSEMBLIES

1. Disconnect the merchandiser power cord from the wall outlet.
2. Remove the Tray Assembly from the merchandiser.

REMOVAL OF THE OLD HARNESS

1. Disconnect the Tray Harness from the PCB and Terminal Block Assembly.
2. Disconnect the Tray Harness from the Switch and the PC Board of each Motor Assembly.

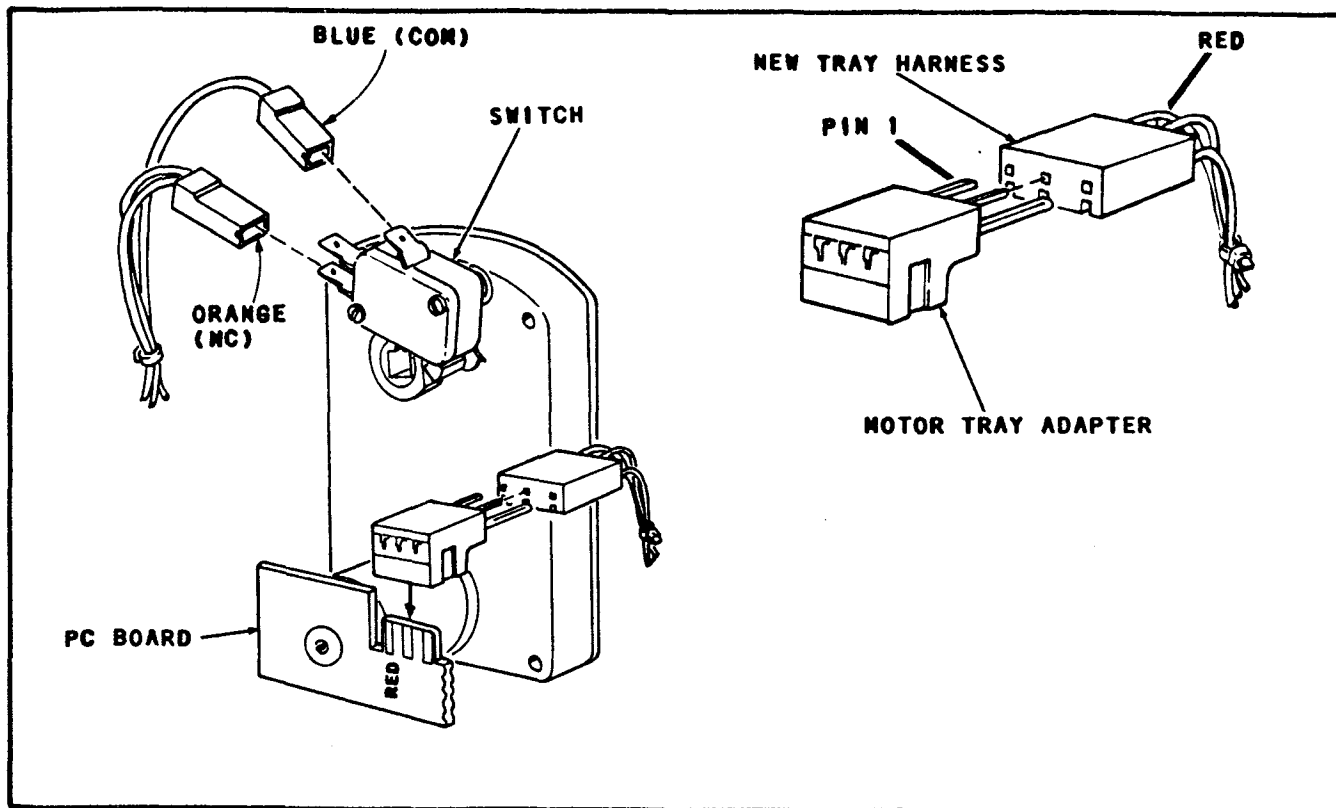


FIGURE 1

INSTALLATION OF THE NEW HARNESS

1. Install a Motor Tray Adapter on the end of each of the new Tray Harness connectors which lead to a Motor Assembly (See Figure 1).
2. Connect the new Tray Harness to the Switch and the PC Board of each Motor Assembly (See Figure 1).
3. Connect the new Tray Harness to the PCB and Terminal Block Assembly.

INSTALLATION OF TRAY ASSEMBLY

1. Place the Tray Assembly back in the merchandiser.
2. Reconnect the merchandiser power cord to the wall outlet.
3. Restore power to the merchandiser and test for proper operation.

APPLICATION

This section of the instructions is for use with Kit Number 1457212.

REMOVAL OF GUM AND MINT ASSEMBLY

1. Disconnect the merchandiser power cord from the wall outlet.
2. Slide the Gum and Mint Assembly out of the Cabinet on the Mount Slide.
3. Disconnect the Gum and Mint Harness from the Main Harness.
4. Remove the two hex head screws that secure the Gum and Mint Assembly to the Mount Slide.
5. Lift up on the Assembly and remove it from the Mount Slide.

REMOVAL OF THE OLD HARNESS

1. Disconnect the old harness from the Gum and Mint PC Board Assembly located to the left of Motor Assembly G1.
2. Press in on the retaining tabs that secure the harness input connector to the Right Hand Motor Housing End Plate and pull the connector away from the End Plate.
3. Fold the retaining tabs back toward the harness (See Figure 2) and push the connector all the way back through the hole in the End Plate.
4. Remove the three hex head screws that secure each Gum and Mint Motor Assembly to the mounting bracket.
5. Remove each of the Motor Assemblies and the old harness from the main assembly.
6. Disconnect the old harness from both Switches and the PC Board of each Motor Assembly.

NOTE

Observe the routing of the harness as you disconnect it from the Motor Assemblies.

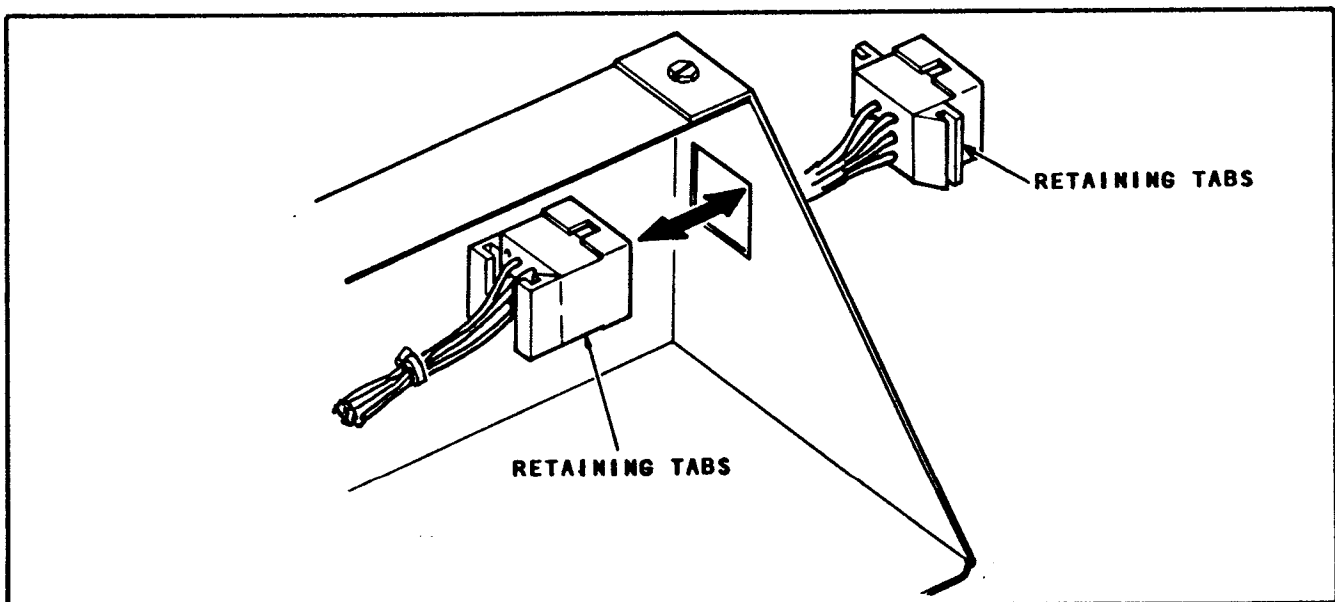


FIGURE 2

INSTALLATION OF THE NEW HARNESS

1. Install a Motor Tray Adapter on the end of each harness connector that leads to one of the Motor Assembly PC Boards (See Figure 3).
2. Connect the new harness to both Switches and the PC Board of each Motor Assembly (See Figure 3).

NOTE

Follow the routing used with the old harness.

3. Secure each of the Gum and Mint Motor Assemblies to the Mounting Bracket using three of the hex head screws removed previously.

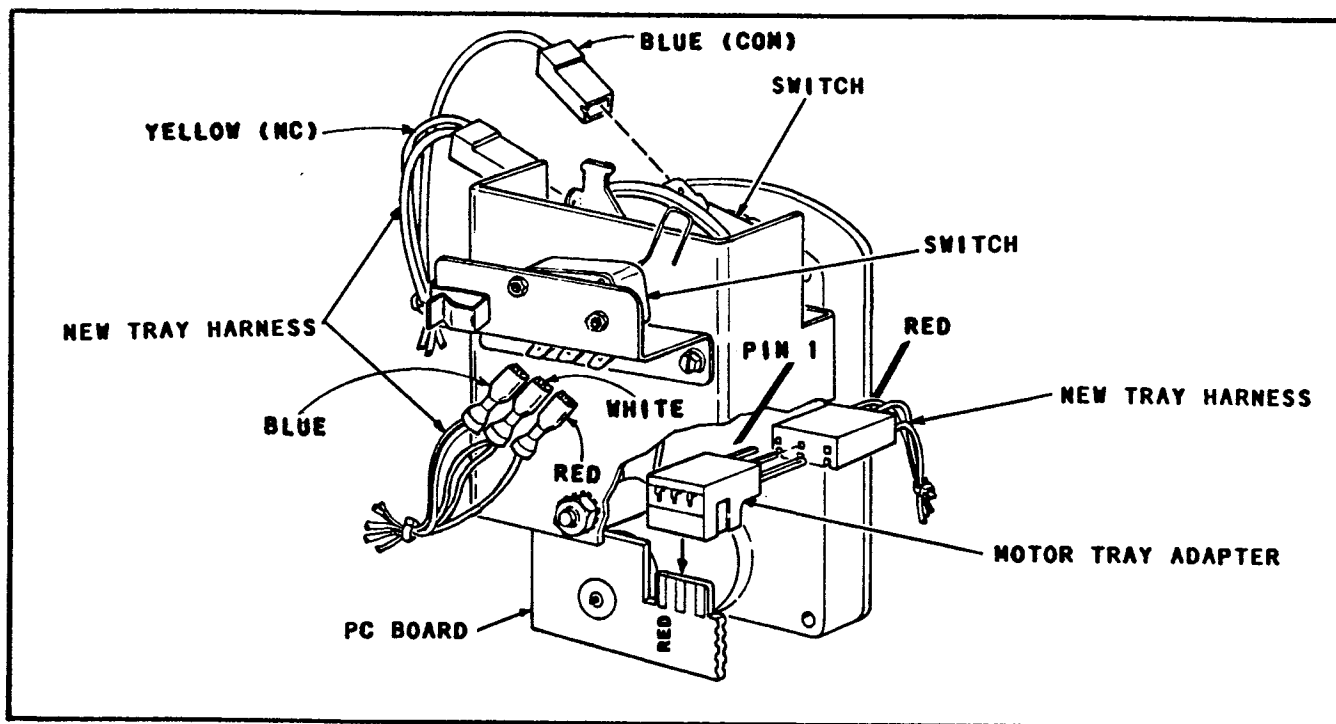


FIGURE 3

4. Fold the retaining tabs of the harness input connector back toward the harness (See Figure 2) and push the connector all the way through the hole in the End Plate.
5. Fold the retaining tabs back toward the connector and push the connector back into the hole to secure it to the End Plate.
6. Connect the new harness to the Gum and Mint PC Board Assembly.

INSTALLATION OF THE GUM AND MINT ASSEMBLY

1. Position the Gum and Mint Assembly on the Mount Slide.
2. Secure the Gum and Mint Assembly to the Mount Slide using the two hex head screws previously removed.
3. Connect the Gum and Mint Harness to the Main Harness.
4. Slide the Gum and Mint Assembly back into the Cabinet.
5. Reconnect the merchandiser power cord to the wall outlet.
6. Restore power to the merchandiser and test for proper operation.